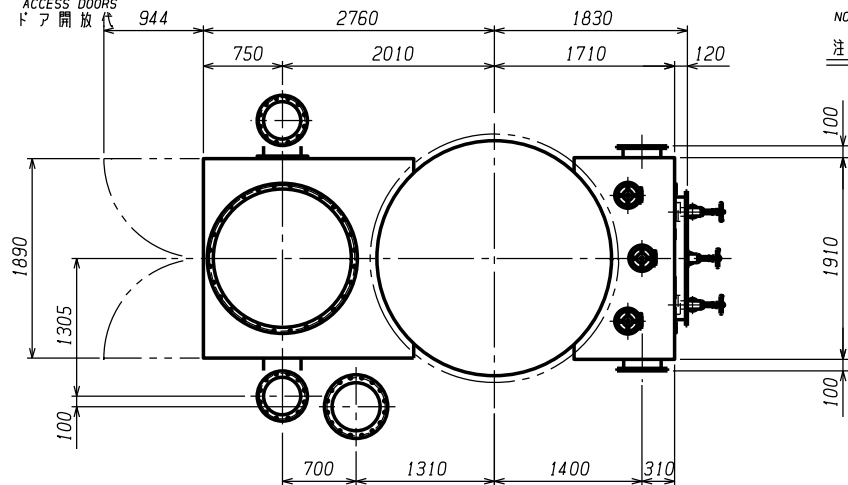
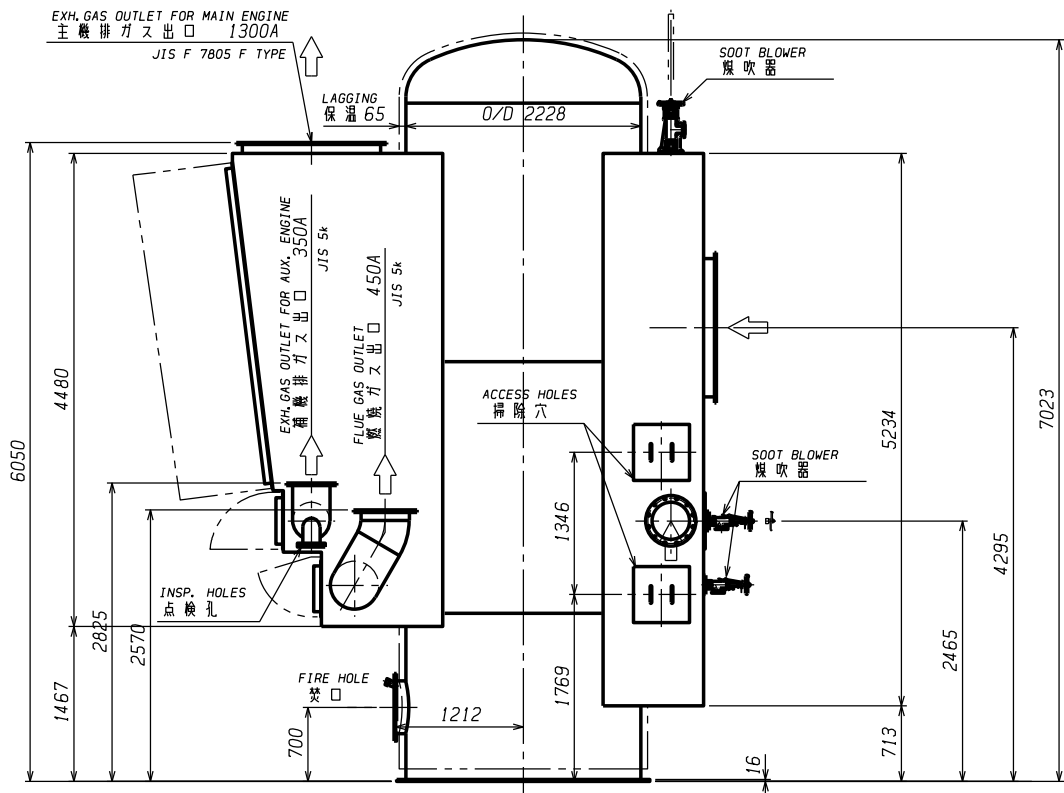


OPENING SPACE FOR ACCESS DOORS
ドア開放代 944



NOTE: SPECIFICATION OF GENERATOR SIDE IN THIS TABLE IS SHOWN FOR ONE ENGINE
注記: 表中の補機側の数値は1台分を示す。

EXH. GAS OUTLET FOR MAIN ENGINE
主機排ガス出口 1300A
JIS F 7805 F TYPE



EXH. GAS INLET FOR MAIN ENGINE
主機排ガス入口 1300A
JIS F 7805 F TYPE

EXH. GAS INLET FOR AUX. ENGINE
補機排ガス入口 350A
JIS 5k

No.	REVISION	DATE	BY	CHECKED
△				
△				
△				

PRINCIPAL PARTICULARS 主要目			
DESIGN PRESSURE 設計圧力	MPa		0.69
NORMAL WORKING PRESSURE 常用圧力	MPa		0.59
HYDRAULIC TEST PRESSURE 水圧試験圧力	MPa		1.04
EVAPORATION 蒸発量	OIL SIDE 油側		kg/h 1300
	MAIN E. SIDE 主機側	90 %	kg/h 1090
		100 %	kg/h 1460
	AUX E. SIDE 補機側	65 %	kg/h 130
100 %		kg/h 216	
FEED WATER TEMP. 給水温度	°C		60
WEIGHT 重量	BOILER ボイラ	ton	ABOUT 25.4
	ACCESSORIES 付属品	ton	ABOUT 1.0
	WATER 缶水	ton	ABOUT 12.3
MAIN ENGINE 主機側	ENGINE LOAD 負荷率		90 % 100 %
	E. GAS AMOUNT 排ガス量 kg/s	E. GAS TEMP. 排ガス温度 °C	27.1 x 242-4 29.2 x 252-4
AUX. ENGINE 補機側	ENGINE LOAD 負荷率		65 % 100 %
	E. GAS AMOUNT 排ガス量 kg/s	E. GAS TEMP. 排ガス温度 °C	1.226 x 285-5 1.81 x 310-5
DRAFT LOSS (MAIN ENGINE SIDE) 排気損失 (主機側)		mmAq	ABOUT 180 AND UNDER 以下
DRAFT LOSS (GENERATOR ENGINE SIDE) 排気損失 (補機側)		mmAq	ABOUT 150 AND UNDER 以下

NO. OF MARK	ITEM	MATERIAL	WORK	SPARE	TOTAL	WEIGHT (kg)	REMARKS
			REQUIRED NO.				
DESIGNING SECTION		CUSTOMER					
SECTION HEAD	T. M	SHIP NO.		WORK NO.			
CHECKED BY		HORIZONTAL SMOKE TUBE VERTICAL COMPOSITE 排気併用式立形横煙管ボイラ					
DRAWN BY	T. MATSUMOTO	MKSC 22-1300/1350G					
TRACED BY		BOILER ASSEMBLY 組立図					
SCALE	1/50	RULE	CLASSIFICATION		DRAWING NO.		
DRAWING DATE	APR. 19 '99	NK			22AS24 10		

